

Radial Power Chokes - RDR1215 SERIES

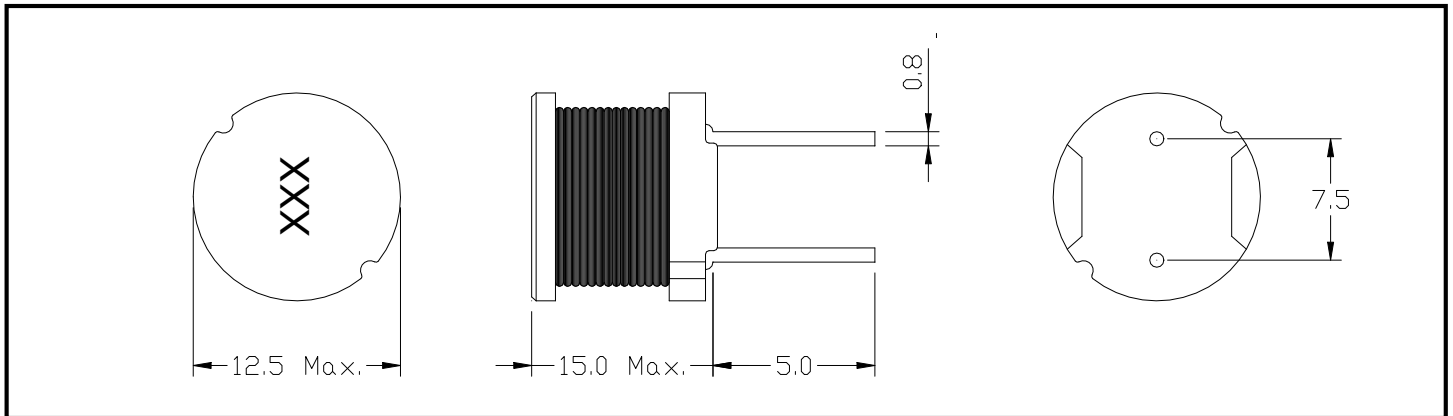


PART NUMBERING SYSTEM

RDR	1215	—	470K	—	LF
TYPE	DIMENSIONS		INDUCTANCE		LEAD FREE

SHAPES AND DIMENSIONS

UNIT : mm



SPECIFICATION TABLE

PART NUMBER	INDUCTANCE (μ H)	DCR (Ω) (Max.)	Isat (A) (Max.)	Irms (A) (Max.)	TEST FREQ. (Freq.)
RDR1215-100K-LF	10 \pm 10%	0.019	9.80	3.60	1KHz
RDR1215-150K-LF	15 \pm 10%	0.022	8.90	3.30	1KHz
RDR1215-220K-LF	22 \pm 10%	0.310	7.20	2.80	1KHz
RDR1215-330K-LF	33 \pm 10%	0.044	6.00	2.30	1KHz
RDR1215-470K-LF	47 \pm 10%	0.059	4.90	2.00	1KHz
RDR1215-680K-LF	68 \pm 10%	0.073	4.20	1.80	1KHz
RDR1215-101K-LF	100 \pm 10%	0.100	3.40	1.50	1KHz
RDR1215-151K-LF	150 \pm 10%	0.150	2.80	1.30	1KHz
RDR1215-221K-LF	220 \pm 10%	0.260	1.90	1.00	1KHz
RDR1215-331K-LF	330 \pm 10%	0.320	1.80	0.91	1KHz
RDR1215-471K-LF	470 \pm 10%	0.480	1.60	0.72	1KHz
RDR1215-681K-LF	680 \pm 10%	0.730	1.30	0.58	1KHz
RDR1215-102K-LF	1000 \pm 10%	0.960	1.10	0.51	1KHz
RDR1215-152K-LF	1500 \pm 10%	1.400	0.90	0.42	1KHz
RDR1215-222K-LF	2200 \pm 10%	2.500	0.70	0.31	1KHz
RDR1215-332K-LF	3300 \pm 10%	3.300	0.60	0.27	1KHz
RDR1215-562K-LF	5600 \pm 10%	6.400	0.47	0.20	1KHz

Operating temperature range -40°C to +125°C